

# Lemi IV Bizak

Quality, like wellness, never goes out of style.

*Lemi*<sup>®</sup>



**PATENTED**



N° 443.090.V

### Facilitate cleaning operations

The unit's internal support structure is entirely hidden by a protective casing, with a sleek Italian design, to ensure maximum safety and facilitate cleaning operations

### "AUT"

With the simple touch of a button, the practical "AUT" command allows the Lemi 4 to be brought back to its armchair position at the end of each treatment.

### All electric bed

A multifunctional, electrically adjustable bed, with 4 electric motors and a practical pedal control, which offers maximum comfort for both the customer and the operator. The various adjustments, which allow for countless positions to be obtained, render the Lemi 4 perfect for a multitude of in-cabin uses.

### Head and foot rest extendable

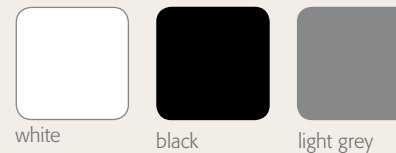
The bed's height, leg-rest, backrest and trendelenburg position adjustments are all carried out electrically. The end portions for the legs and head can be extracted and extended in order to allow the bed to be used with even the tallest customers.

### Hand made mattress

The beautifully designed, hand made, 3-section ergonomic mattress, made from foam rubber with a 5 year warranty, guarantees maximum comfort. Its special construction facilitates cleaning and sanitization operations. The customer can remain lying comfortably during all of the bed's adjustment procedures.

The item n. 105 | 915-62 is standard with anatomic mattress, flat arm rests and hand remote.

The item n. 105+112 | 915-63 is standard with anatomic mattress, flat arm rests, bizak version and foot pedal.



Lemi 4 cod. 105 | 915-62

TRADITIONAL VALUES AND EXCEPTIONAL DESIGN: ALL IN A SINGLE BED. THAT'S THE LEMI 4, THE SOLUTION THAT COMBINES EXTREME FLEXIBILITY OF USE AND MAXIMUM COMFORT WITHIN A SINGLE, TIMELESS SPA FURNISHING ELEMENT.

THE LEMI 4 IS THE IDEAL TOOL FOR TOTAL WELLNESS. PRACTICAL, ROBUST, EFFECTIVE: THE STRENGTH OF ABSOLUTE QUALITY, WHICH HAS STOOD UP TO THE MOST STRINGENT TEST OF ALL, THAT OF TIME.

**Ideal for:** Facial treatments, light massages, hair removal, dermatology and cosmetic surgery, tattooing, anti-aging treatments, facial cleansing, scrubs, facial masks, etc.



**LKP** *Lemi* Key Performance



**EasyAccess**

The electric height adjustment, with its minimum height of 62 cm | 24", facilitates access and allows any customer to get on or off the unit with maximum ease.



**Italian Design**

Sleek Italian design.



**Hand made mattress**

A high-quality rubber foam mattress, offering a luxurious design and a guaranteed long working life.



**Customization**

The mattress is available in over 50 colors; the casing is available in white, light grey and black.



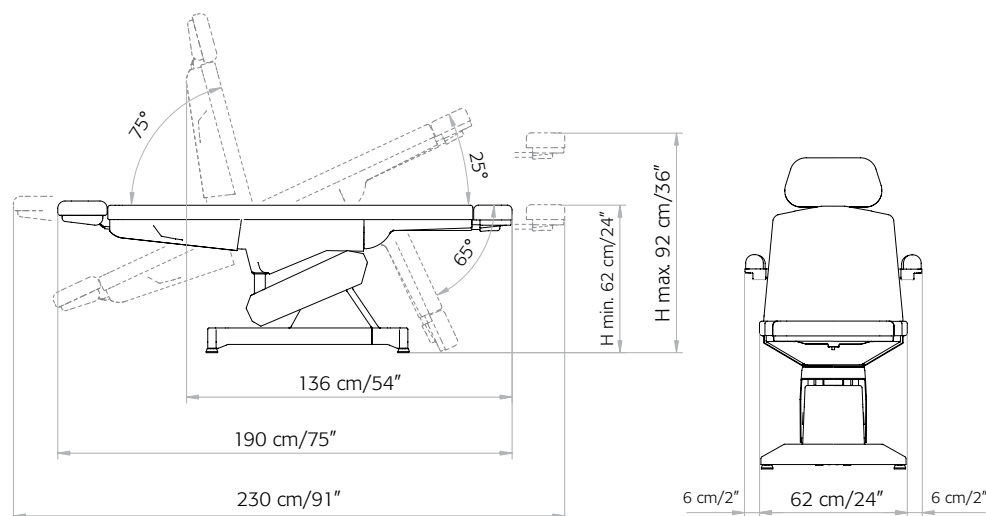
**Timeless**

Today, the world's first spa/treatment bed with 4 motors celebrates over twenty years on the market. Because quality, like wellness, never goes out of style.

# Technical specifications

Lemi IV Bizak cod. **105+112** | 915-63

## Table of dimensions



## Packaging details

Packaging size:  
cm 170 x 74 x 86 h (67" x 29" x 34")  
Volume: 1.081 m<sup>3</sup>  
Gross weight: 89 kg (196 lbs)  
Net weight: 73 kg (161 lbs)  
Max lift capacity: 200 kg (441 lbs)

## Electric requirements

Voltage: 230V ac, 110V  
Frequency: 50/60 Hz  
Absorption: 1.5 Amp max

Lemi IV Bizak is CE conformed and is manufactured in accordance with European Directives: 2006/42/CE; 2004/108/CE; 2006/95/CE. CEI EN 60204-1:2006-09; UNI EN 12100-1-2:2009; UNI EN 349 (2008)

## Accessories upon request



bed sponge cover  
cod. 114 | 9150-02



paper roll holder  
cod. 108 |  
9150-03



small Zak head  
rest cod. 111/P |  
915-09



manicure bowl  
couple cod. 006 |  
70/0020



foot pedal  
cod. LEM-067 |  
50-0046



heating system  
cod. 152 | HEAT



hand remote  
cod. LEM-083  
| 50-0045

## Brusaferri & C S.r.l.

Headquarters:  
S.P. n. 6 • 26011 Casalbuttano (CR) • Italy  
Tel. +39 0374 363068/69  
Fax +39 0374 363071

[www.lemi.it](http://www.lemi.it) • [info@lemi.it](mailto:info@lemi.it)

## USA Branch:

Lemi USA LLC  
280 Fentress Blvd • Daytona Beach, FL. 32114  
T. 386-239-8433  
F. 386-239-8627

[www.lemiusa.com](http://www.lemiusa.com) • [info@lemiusa.com](mailto:info@lemiusa.com)

