

Adjust-a-Sink®

K100 SERIES

INSTALLATION INSTRUCTIONS

3/2018

Congratulations on the purchase of your new Adjust-a-Sink® System! The Adjust-a-Sink® System utilizes a unique hydraulic lift mechanism and a cUPC listed, patented, 3-stage telescoping plumbing unit* that allows the operator to raise and lower the shampoo bowl a total of 12" simply by pumping the convenient foot pedal. This foot pedal can also be rotated to the side, providing the stylist an unobstructed work area when needed.

The Adjust-a-Sink® System was designed with simplicity and long lasting durability in mind. The lift system, cultured marble shampoo bowl, laminated panels and chrome plated pump make the entire system easy to clean and virtually maintenance free.

IMPORTANT: Please read through all these instruction sheets and become familiar with all the parts and requirements PRIOR to installation. Although the system can be installed in most work areas with the proper water and waste connections, there are necessary steps that are very important to follow to ensure the proper operation of the Adjust-a-Sink®. Refer to the appropriate local and state codes as it applies to the location of the waste drain and use of a hair trap (interceptor) for your particular installation.

The following Step-by-Step Instructions reference the following Accessible Systems drawings:

- K100 Overall Assembly, Sheet 1
- K100 Overall Assembly, Sheet 2
- K100-87 Plumbing Rough-in Drawing

Your system comes in three boxes, what is included:

Shampoo Bowl box (left in photo): 24"x26"x15", 40 lbs.
Contains the Comfort Fit bowl, or 3000W or 8400K bowl, bowl mounting bracket, fixtures, spray hose, and vacuum breaker or backflow preventer.

Shroud box (center): 16"x21"x13", 22 lbs. Contains the K100-68 metal shroud, K100-75 drain unit, K100-72 & -73 drain mounting bracket, 20260 strainer basket, 30" flexible supplies, pump handle, assembly instructions and hardware.



K100 box (right in photo): 14"x28"x39", 85 lbs.
Contains the main unit lift system with pump and back splash panel.

Required Hardware/Supplies Not Included: 1 ½" White PVC UPC Listed P-Trap, 90 Degree Supply line shut-off valves, Long-Length Sheet Rock Screws, Lag Bolts and/or 5/16" Bolts-Washers-Nuts (if mounting to cabinet), Plumbing Supplies such as Plumbers Putty, Sealant, Silicone Caulk, etc.

For replacement part orders or further information please contact Customer Service at: (612) 238-4600
Local Building Codes May Apply. Adjust-a-Sink® is a registered trademark of Accessible Systems, Inc.

STEP 1: SITE EVALUATION, PLUMBING ROUGH IN, & MOUNTING PANEL PREPARATION

The Adjust-a-Sink® System is designed to be mounted directly to the face of a finished interior wall, with the proper rough-in plumbing already installed. The System can also be cabinet or station mounted by a qualified installer.

INSTALLERS, PLEASE NOTE:

If the Adjust-a-Sink® unit is to be mounted on a cabinet face or a shampoo station, it is extremely important that the cabinetry counter top or ledge be **FLUSH** and **SQUARE BEHIND** the Adjust-a-Sink Wall Mounting Panel. There must be **NO** counter top lip or ledge overhanging the Wall Mounting Panel, as it will interfere with the sink action as it elevates, causing possible damage to both the Adjust-a-Sink and surrounding cabinetry. Please allow 24-36" on either side of the unit for clearance and stylist work space! Accessible Systems, Inc. *will not* be liable for injury or damages caused by improper installation.

Note: Ensure there is clearance between the elevating backsplash and the counter top lip



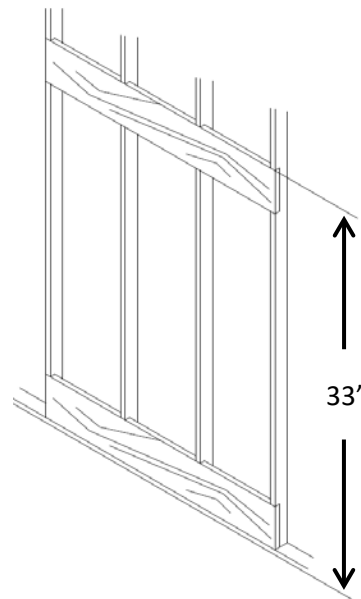
Fully Assembled Unit – In Up Position



1A. Referring to drawing K100-87 Plumbing Rough-In, note that the Wall Mounting Panel is 22" wide and 33" High. The bottom of the Wall Mounting Panel rests on the finished floor. The installer should verify that there is sufficient space to mount this panel, also keeping in mind that the Lift Backsplash itself will elevate an additional 12" in height.

The mounted shampoo bowl and its drain is centered within the 22" width of the Wall Mounting Panel that is, the center of the drain is 11" from the left edge. Keeping this in mind will simplify the process.

For installation on a wall, place blocking behind finished wall as shown here:



Recommended and best rough-in plumbing hardware and locations are as follows:

Waste Water Drain Pipe:

1-1/2" ID white PVC: Locate pipe center 11" from the left edge of the Wall Mounting Panel

*Refer to "Rough In" Drawing K100-87 for the recommended height for the waste drain.
Stub out 8" minimum from finished wall. (Exact length will be determined at final plumbing)*

IMPORTANT NOTES:

- **UPC Listed P-Trap Must Be Used! Please reference Drawing K100 below for the acceptable water line locations (for both waste and supply lines).**
- **The building drain MUST BE stubbed out of the wall (about 8" out) on the exact center of the unit from left to right. (It may be useful to delay gluing the stub into the wall until making the final hook up).**
- **If using a Hair Trap, refer to Drawing K100-87 for waste drain "rough in" dimension, ensure there is enough space under the trap to enable you to remove and clean filter (#8750 model).**

Water Supply Lines:

1/2" ID rigid copper tube: **HOT:** Refer to Drawing K100-87 for the Location of the Water Lines

COLD: Refer to Drawing K100-87 for the Location of the Water Lines
Stub out 4" from the finished wall.

PLUMBING NOTE: Since many installations may not be able to locate the plumbing rough in exactly as specified, refer to Drawing K100-87 Plumbing "Rough-In" for the allowable areas plumbing may penetrate the Wall Mounting Panel. Caution! Plumbing falling outside this area may cause interference problems with moving sink components. Other plumbing drain/water configurations such as rough in through the floor are permissible; however, the installation becomes the responsibility of the installer.

1B. Drilling/Cutting the necessary holes in the Mounting Panel for water supply lines and Drain Pipe:

Unpack the Wall Mounting Panel along with the Lift Backsplash. Mark the hole locations on the Mounting Panel per the dimensions that correspond to where the water supply lines and drains are located on the wall (or sturdy cabinet) on which it will mount. Before you begin, verify once more that the wastewater drain pipe and supply water stub-outs have been properly located per drawing **K100-87** Plumbing Rough-In.

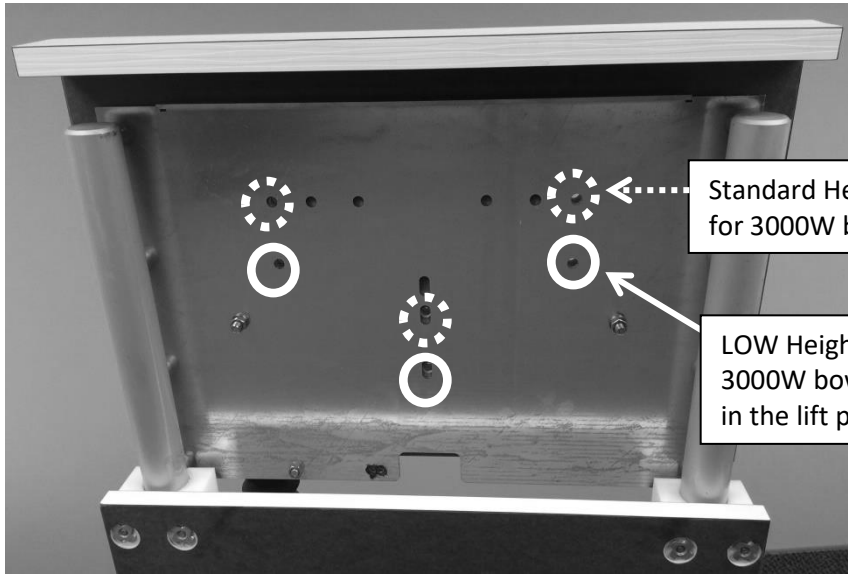
We suggest using the following to drill out the necessary through holes on the mounting panel:

7/8" Min. Dia. – Hot, Cold Water Lines
2 1/4" Min. Dia. Hole Saw – Waste Drain

***Please see page 5 for the K100-87 Plumbing Rough-In Drawing**

1C. OPTIONAL for a 2" lower BOWL HEIGHT for 3000W bowl

The K100 is set up as shipped from the factory for a standard bowl height of 34" from rim to floor, in the lowest position. This provides a neck rest height of 31" from the floor as shown on drawing K100 at the end of these instructions. Some facilities prefer the bowl be mounted lower to accommodate some reclining wheelchairs. The galvanized lift panel on the unit has pre-fabricated locations to mount the bowl 2" lower, at installation the backsplash panel needs additional holes drilled to accommodate the lower bowl mounting. LOW mounting provides a floor to rim height of 32" and a neck rest height of 29".

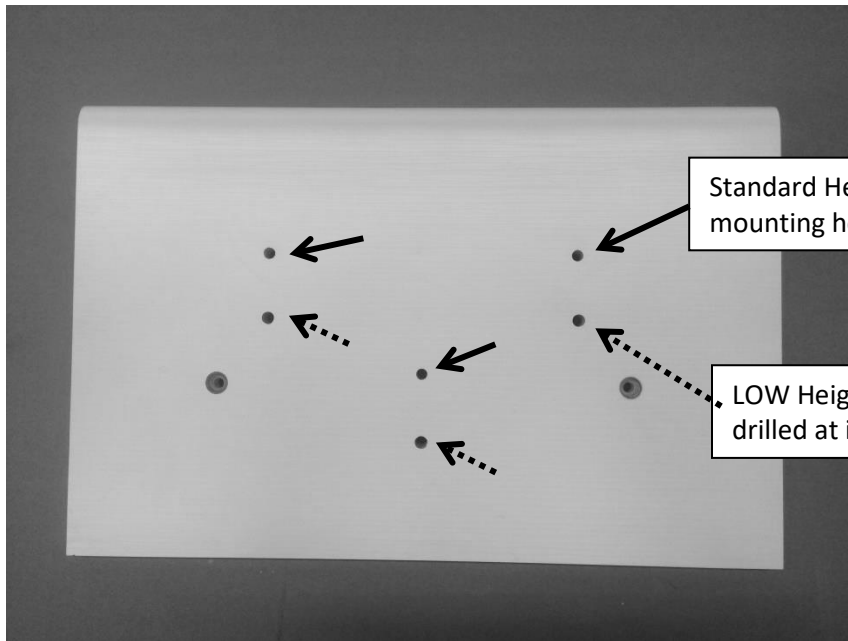


Measure 2" lower than the existing holes in the back splash panel and drill, or use the galvanized lift panel as a template.

Standard Height mounting holes for 3000W bowls

LOW Height mounting holes for 3000W bowls are pre-fabricated in the lift panel.

Galvanized lift panel – raised position



Standard Height pre-drilled mounting holes

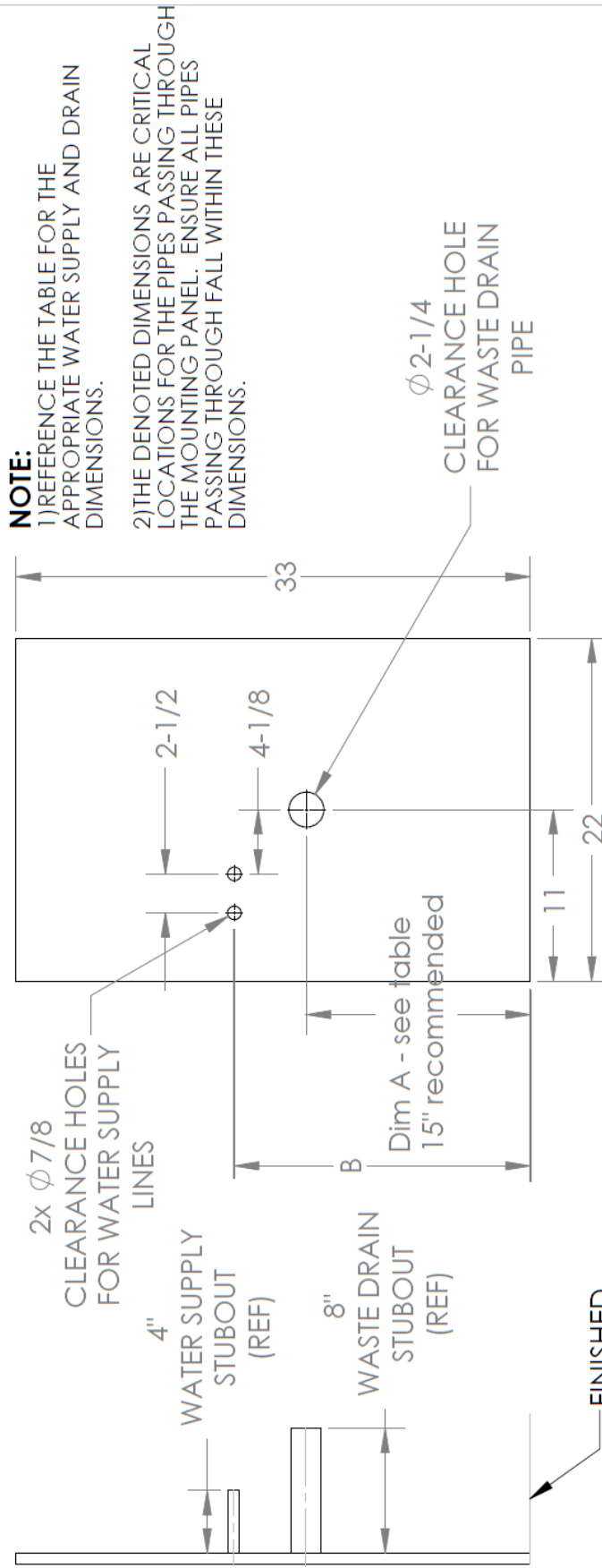
LOW Height mounting holes, drilled at installation

Backsplash

Waste Drain and Water Supply Configurations		Without Mixing Valve Kit		WITH Mixing Valve Kit	
Description	Drain Type	Dimension A Min	Dimension A Max	Dimension B Min	Dimension B Max
"Rough In" New construction or remodel	Standard with or without Hair Trap	10"	19"	10"	19"
				3"	9"

NOTE: FOR USE WITH COMFORT FIT #3050 SHAMPOO BOWL WITH OR WITHOUT HAIR INTERCEPTOR

NOTE: WISCONSIN REQUIRES THE SINK WASTE OUTLET NOT MORE THAN 15" ABOVE TRAP OUTLET, ROUGH IN WASTE AT 19"



UNLESS OTHERWISE SPECIFIED:		NAME	DATE
DIMENSIONS ARE IN INCHES		C SCHEFF	4/17/08
TOLERANCES:			
FRACTIONAL: ± 1/16		CHECKED	5-3-10
ANGULAR: MACH ±	BEND ±	ENG APPR.	
TWO PLACE DECIMAL ±		MFG APPR.	
THREE PLACE DECIMAL ±		G.A.	
INTERFRET GEOMETRIC TOLERANCING FER:		COMMENTS:	
MATERIAL		REV: 1/1/18	
FINISH			
NEXT ASSY	USED ON		
APPLICATION			
DO NOT SCALE DRAWING			

PROPRIETARY AND CONFIDENTIAL THE INFORMATION CONTAINED IN THIS DRAWING IS THE SOLE PROPERTY OF ACCESSIBLE SYSTEMS, INC.. ANY REPRODUCTION IN PART OR AS A WHOLE WITHOUT THE WRITTEN PERMISSION OF ACCESSIBLE SYSTEMS, INC IS PROHIBITED.	
Accessible Systems, Inc. TITLE: ROUGH-IN FOR K100 3-STAGE PLUMBING	SIZE DWG. NO. A K100-87 REV H
SCALE: 1:8	WEIGHT: SHEET 1 OF 1

STEP 2: WALL MOUNTING PANEL INSTALLATION

2A. Carefully unpack the balance of the Adjust-a-Sink® System and verify all components are included and undamaged. The Adjust-a-Sink® System comes with most of its components already assembled.

2B. Install the Lift Backsplash using two 5/16 x 1-1/2" flat head bolts with lock washers and nuts, then install the shampoo bowl Sink Mounting Bracket with three ¼ x 1-1/2" bolts. (lock washers and nuts go on the *backside* of the Lift Panel.)

NOTE: The Lift Panel is predrilled with the proper number of holes and spacing for the Shampoo Bowl, either the Comfort Fit 3050, Marble Products 3000W or Belvedere 8400.

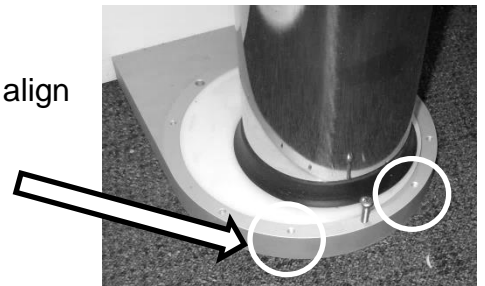
Due to its metal components and sturdy construction, the assembled Adjust-a-Sink® is quite heavy. Because of this, and to ensure proper operation, it is recommended to locate wall-framing studs behind the finished wall and then fasten the Wall Mounting Panel to the studs using multiple, long length sheet rock screws (not supplied). In some installations where framing members may fall outside the Wall Mounting Panel, apply a generous amount of construction adhesive (not supplied) around the entire back of the panel and secure it to the wall that way. Consult adhesive instructions for proper conditions and restrictions.

If your Wall Mounting Panel requires a different installation arrangement, it is the installer's responsibility to calculate, verify and drill the panel according to the guidelines already established. Again, review drawing K100-87 (page 5) Plumbing Rough-In for more details.

IMPORTANT NOTE: When securing the unit to a sturdy cabinet, we suggest that you use (4) 5/16" bolts of the appropriate length with (2) 5/16" fender washers, and 1 lock washer and nut per bolt. Space these (4) bolts in a manner that provides maximum support and affords coverage by the Shroud so that bolts are not visible post installation.

2C. Once the Wall Mounting Panel is positively secured to the wall, align the hydraulic lift Floor Plate by adjusting the two socket set screws hidden beneath the Retainer Ring.

**See item # 2 on drawing K100 sheet 2.



2D. Remove the six #10-24 pan head screws as indicated but do not discard. Using a 5/32 hex key, turn the two screws equally clockwise: the requirement is to make the Floor Plate perpendicular to the Wall Mounting Panel. Using a small carpenter's square, place one edge up against the Wall Mounting Panel and gauge according. When perpendicular, reinstall the six #10-24 pan head screws. Apply a bead of silicone based caulking (not supplied) all around the base of the Lift Plate at the floor; this will keep water and other grime from collecting underneath. Additionally, seal all along the Wall Mounting Plate bottom edge, where it rests on the floor.

STEP 3: FINISH PLUMBING

3A. Finish the supply water line installation. For both the Hot and Cold, use 1/2" x 3/8" (copper tube OD x ID) 90-degree Angle Compression Water Supply Shutoffs and Trim Bezels. (Not Supplied)

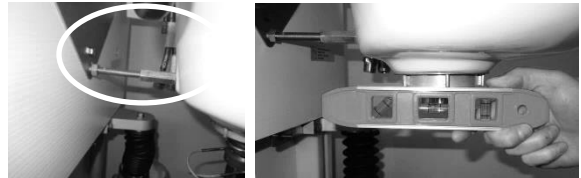
3B. Shampoo Bowl: Install the faucet, hose and all related pieces to the shampoo bowl per the instructions provided from the manufacturer.

NOTE: Be sure to use the Mainline MLL7 Strainer Basket (2-1/2" overall ht.) provided with the Adjust-a-Sink, the basket can be installed with or without the rubber gasket, taller baskets are not compatible. Use plumber's putty when installing the basket strainer.

3C. Mount the shampoo bowl on the Sink Mounting Bracket. Be sure to level the sink to the Lift Backsplash, secure its position using the leveling screw under the sink and properly secure it by tightening the nut under each side of the bowl.

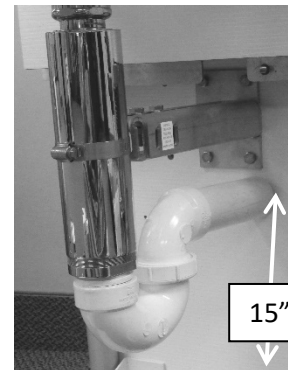
Bowl Leveling Screw

Ensure the bowl is level

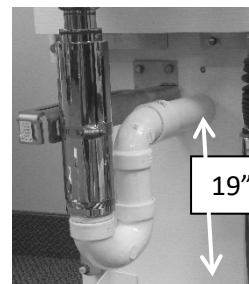


3D. Pump the hydraulic lift & elevate the shampoo bowl to its highest position. Mount the Drain Pipe Support Bracket assembly onto the laminated mounting panel using the four 5/16" x 3/4" bolts provided. Refer to Drawing K100 for the proper bracket positioning. Make sure the two 5/16" bolts holding the Drain Pipe Clamp to the Drain Pipe Support Bracket & the hose clamp are loose enough to make adjustments. There are two ways to install the Drain Pipe Support Bracket that comes with your sink kit:

1. The Low Drain is most common and accommodates waste pipe heights below 15". Low Drain configuration is depicted in most of photos in this manual, it is mounted using the right-most four holes on the wall mount panel, the telescoping drain and hose clamp installed the END of the bracket.
2. The High Drain setup accommodates waste pipe heights between 15" and 19". The High Drain configuration mounts to the left-most four holes in the mounting panel, and allows the waste pipe to run beside the bracket. The telescoping drain unit mounts to the SIDE of the bracket as shown.



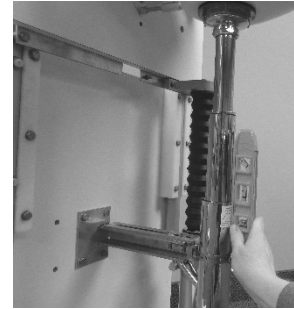
Low Drain setup – Bracket is mounted above drain, for waste pipe below 15"



High Drain setup – Bracket is mounted on left side of drain, allows waste pipe height up to 19"

3E. With the shampoo bowl still at its highest position extend the Telescoping drain to the basket strainer. Connect the slip joint nut to the basket strainer; make sure to use the proper gasket at the joint. Adjust the Drain Pipe Support Bracket so that the Telescoping Drain unit is plumb to the floor and hand tighten the 5/16" bolts on the bracket.

If you are mounting the bowl at the optional 2" lower height in step 1C, then the K100-73 part of the drain bracket should be mounted on the bottom side of the K100-72 part of the bracket, rather than mounted on the top as shown here.

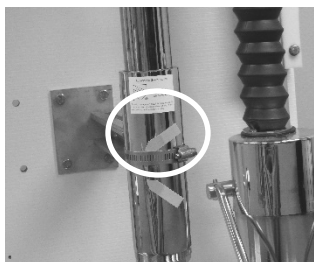


adjust bracket so drain is plumb

NOTE: It is critical to the proper operation of the telescopic drain that the bowl strainer basket is level, front to back and side to side, and the telescopic drain is installed perpendicular to the floor – any deviation to this will cause premature wear and possible failure of the drain system.

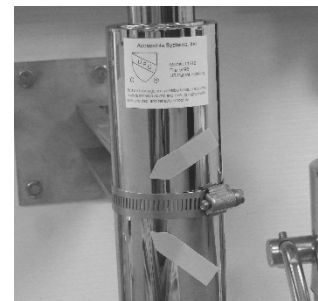
3F. Now move the unit to the lowest position and fully tighten the two 5/16" bolts holding the pipe clamp to the drain support bracket making sure the drain is still plumb and parallel. Also make sure the bracket is aligned with the bottom section of drain before tightening.

3G. With the sink in its lowest position, loosen the hose clamp enough to slide the drain up so it is fully contracted. Using a marker or other means, scribe a line on the drain unit along the bottom of the hose clamp.



3H. Raise the sink to its highest position and pull down on the drain so it is fully extended and cables are taught. Using the marker, scribe a line along the top of the hose clamp.

3I. Adjust the bottom section of the drain unit (2" PVC pipe) up about 1/4" from full extension, centering the hose clamp between the marks made, and tighten the hose clamp. Move the unit to both up & down extremes to check for binding. Make any minor adjustments to eliminate any binding before proceeding.



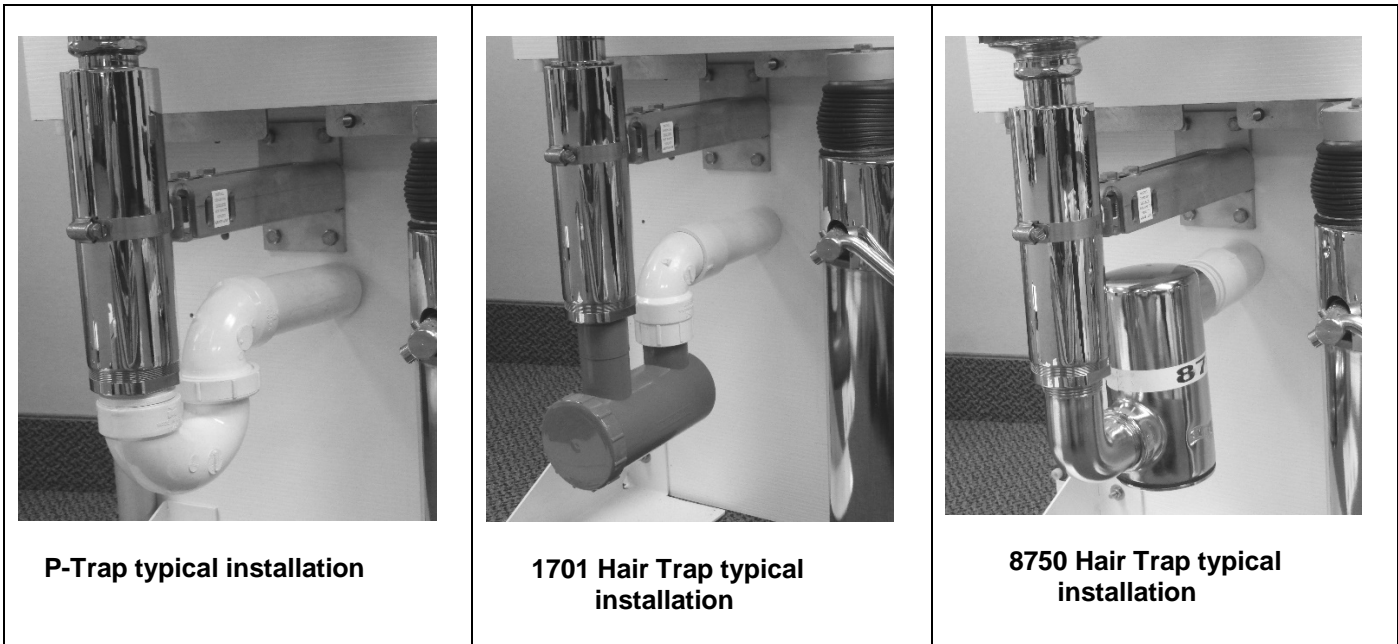
NOTE: Refer to pictures on page 10 for drain positioning and orientation. Do not construct your P-Trap until the drain is positioned properly and functions properly – as a REFERENCE dimension, the distance from the bottom of the telescoping drain to the floor should be approximately 14" when using the Comfort Fit 3050 bowl.

CAUTION: Do not over tighten the hose clamp to the Drain Pipe Subassembly (#14). Lower the shampoo bowl and observe the action. Again, movement of the Telescopic Drain should be smooth and continuous.

The shampoo bowl is shipped directly from the manufacturer. It is possible that there may be slight variations in bowls. If the 3-Stage Telescopic Drain system IS NOT adjusted properly at installation, damage or breakage of the drain system may result.

IMPORTANT: Do not trim or alter or attempt to disassemble the Telescopic Drain in any way. All components that make up the Telescopic Drain Pipe Subassembly are integrated and work together. Altering its design or removing the lubricant will cause premature if not total failure of the telescopic drain mechanism and VOID the warranty.

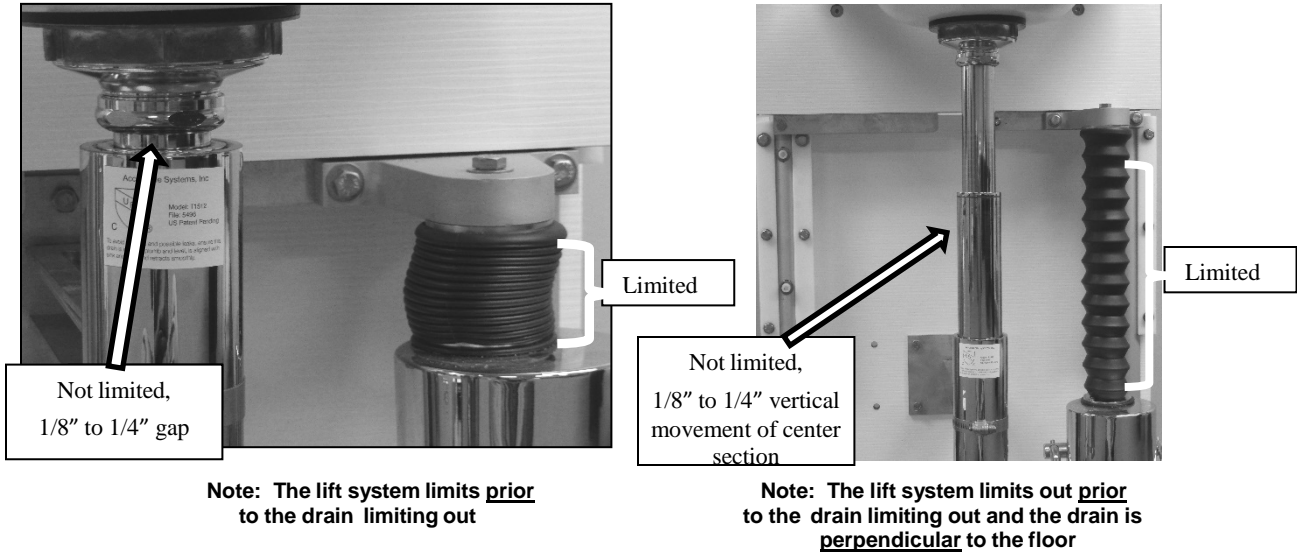
3J. Dry fit the bottom of the Drain Pipe Subassembly to the wastewater drain pipe using a UPC approved P-Trap or a hair trap (not supplied). A P-trap with a union is recommended. Use appropriate plumbing methods to seal and secure the P-trap to the drain and the roughed in 1 ½” waste drain. **Do not glue the P-Trap until you conduct the Initial Testing Procedure on the following page.**



NOTE: Care should be used to not cross thread the telescoping drain slip nut onto the basket strainer threads.

3K. INITIAL TESTING PROCEDURE

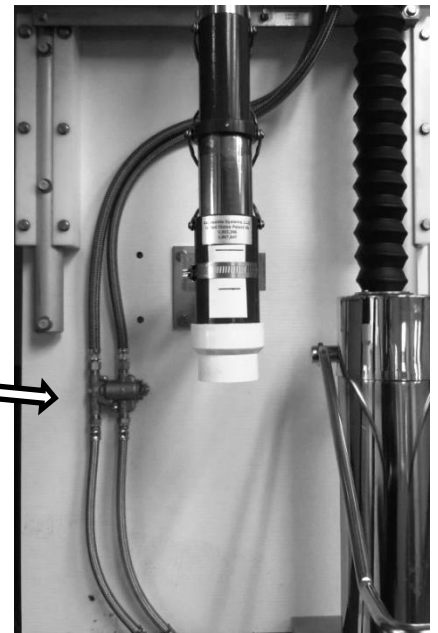
- Raise and lower the unit all the way up and down several times to be sure it is operating properly, without binding **before and after** connecting it to the building drain.
- Be sure there is about 1/4" total slack in the cable linkage system when the unit is fully extended as described above. It is important that the lift system reaches its limits **prior** to the drain extending to its full range. Make any minor adjustments that are needed to keep the lift system from binding and to ensure that the lift system reaches its end of travel limit prior to the 3-Stage Telescopic Drain Assembly extending to its full range.



- Now ensure that all parts are tightened securely and glue any PVC components of the P-trap and building drain. Care should be used to ensure you do NOT cause strain or binding on the vertical 3-Stage Telescoping Drain Assembly.

3L. (OPTIONAL) If you are installing a mixing valve kit, mount the valve body to the mounting panel in the pre-drilled holes using the two screws provided. Install the nylon spacers between the valve body and the panel. If there is interference between the valve body and supply shutoffs, the valve can be located lower on the panel, or moved left or right, but keep clearance for the slide mechanisms and traps and waste piping. If the valve is mounted lower on the panel, longer supply hoses to the fixture may be needed. Two 12" flex hoses are included to connect to the supply valves, rigid supply tubing is permissible.

Mixing Valve Mounted →



3M. Connect the provided flexible Water Supply Lines to both the faucet and the water supply shutoffs. Use care and good judgment when installing the flexible lines so they are free and unobstructed when traveling with the elevating shampoo bowl.

3N. FINAL TESTING / LEAK TESTING PROCEDURE

Turn on the faucet and let run for 3-5 minutes at both the highest and lowest height positions. Check all assembled plumbing joints to verify seals. Take appropriate action to address any leaks. The telescopic drains are pressure tested per ASME standards and date coded prior to shipment—they should not leak if installed properly.

STEP 4. SHROUD INSTALLATION

4A. With all the plumbing connected and operating smoothly, and prior to installing the Shroud, observe that the Hydraulic Lift is also operating smoothly by raising and lowering the Shampoo Bowl. The Lift Shafts should glide smoothly between the polyethylene Lift Guides. No further adjustments or maintenance should be required.

4B. Lower the unit to the lowest position. Attach the Shroud by hanging the shroud on the single stud on the right side of the lift panel. Hand-tighten the nylon nut to the stud. Loosen the three nylon cap screws on the left lift shaft just enough to slide the shroud in between the head of the cap screw/o-ring and the three flat washers. Tighten the top screw first. Once the top screw is tight, raise the unit up to provide enough room to reach underneath and tighten the bottom two screws. Now go back to the nut on the other side and tighten it. Securely tighten the cap screws with an Allen wrench.

NOTE: Ensure that there is no interference between the left side of the shroud and the plastic lift guides. If there is, loosen the top left nut and re-position the shroud so that it does not come in contact with the lift guide.



MAINTENANCE FOR THE K-100 Adjust-A-Sink®

BASIC FEATURES: The Adjust-a-Sink® System elevates the Shampoo Bowl a total of 12". Distance from the floor to the top the of bowl ranges from approximately 34" to 46". A self-contained, maintenance free foot-operated hydraulic lift provides the lift capacity needed to raise the shampoo bowl. The hydraulic lift's foot pedal is free to rotate approximately 90 degrees to the side anytime the operator requires. Components are manufactured from the highest-grade materials and should provide years of trouble-free service.

**Save these installation instructions for future reference.

IMPORTANT: IT IS VERY IMPORTANT TO HAVE THE "ADJUST-A-SINK"® INSTALLED CORRECTLY AND THE PLUMBING ALIGNED PERFECTLY. NOT DOING SO COULD RESULT IN UNDUE PRESSURE ON VARIOUS COMPONENT PARTS AND COULD ALSO CAUSE THE PLUMBING TO LEAK.

Lubrication: When the sink will not be in use for a period of time, or overnight, lower the sink to its lowest position. This allows the shaft to stay lubricated in the hydraulic fluid. By doing this, it will maintain the smoothness of the elevation.

****The 3-Stage Drain is pre-lubricated with specially tested and approved lubricant. DO NOT apply any additional lubricant or spray lubricant to the drain.**

NOTE: We recommend that you raise and lower the sink at least once daily to ensure proper lubrication all of critical components.

Cleaning: after use or at the end of the day, wipe the shroud and pump with a clean damp cloth, mild cleaning solution or a stainless steel spray cleaner. This will keep your unit looking new. The shampoo sink should be cleaned on a regular basis as well, using a non-abrasive cleaner. For those units equipped with a **Hair Interceptor**, we recommend that you open and clean it out every six months or sooner if sink use warrants.

IMPORTANT: It is important to keep the nylon base (the base that the pump sits in) clean as well. The pump is designed to swivel, if it is not kept clean, it will eventually become hard to swivel the pump in the base.

WITH PROPER CARE AND GOOD CLEANING, THE "ADJUST-A-SINK"® WILL PROVIDE MANY YEARS OF SERVICE TO BOTH YOU AND YOUR CLIENTS.

WARRANTY

The Adjust-a-Sink® warranty is two (2) years on all parts and five (5) years on the hydraulic pump. Altering the 3-Stage Telescopic Drain in any way voids its warranty. Parts will be repaired or replaced at the discretion of Accessible Systems, Inc.

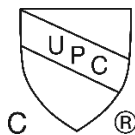
OPERATION OF THE ADJUST-A-SINK®

We suggest that stylists “be creative” in adjusting the sink to fit their clients, as each person is unique in their body type. The Adjust-A-Sink can be adjusted to improve the shampoo experience for most everyone with a little thought and experimentation with height adjustments and head and body positions. Note that the foot pedal swivels to allow for stylist preference. The concept behind the adjustable height, Adjust-a-Sink® is to position the client in a manner that allows them to sit as upright as possible to allow their weight to be evenly distributed throughout the body so as to alleviate pressure on the neck and lower back.

1. Pump the Adjust-a-Sink® up higher than the client’s neck and shoulders.
2. Position the client in the shampoo chair so the back of the chair and the neck of the shampoo bowl are aligned vertically. The client will usually prefer a more upright seating position. We suggest the use of an adjustable back, fixed position shampoo chair if possible.
3. Lower the Adjust-a-Sink® to the client’s comfort level - the client’s neck should fit snug and comfortable, without pressure, against the shampoo bowl.
4. For clients in a wheelchair, use the same method noted above and ensures the bowl is up high enough to clear the wheelchair’s handles and back.
5. Ensure the client’s head is tilted so their forehead is over the bowl. You may need to lower the bowl slightly, and or further recline the client to obtain this desired position. In this position, and with moderate water pressure, you should be able to provide for a comfortable and dry shampoo. Again, the Adjust-a-Sink® works best with the client sitting as upright as possible.

**See photos on page 14 for proper client positioning.
Download the Stylist Tips from the Resource Page on the
Website.**

View the Senior Care Videos on the Website.



Adjust-a-Sink®

Operation of the Adjust-a-Sink® (cont.)



Position the Client Like This



NOT Like This!



Note: Proper Neck/Bowl Position

4

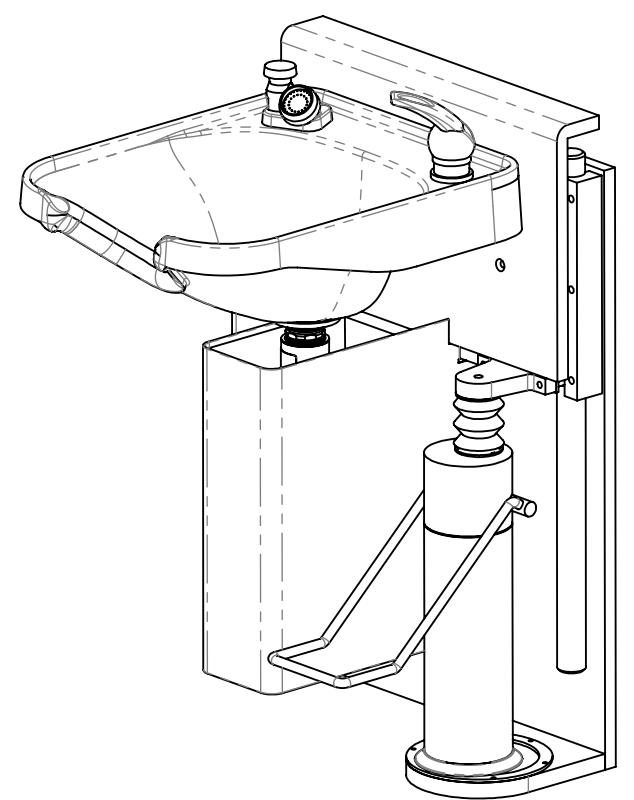
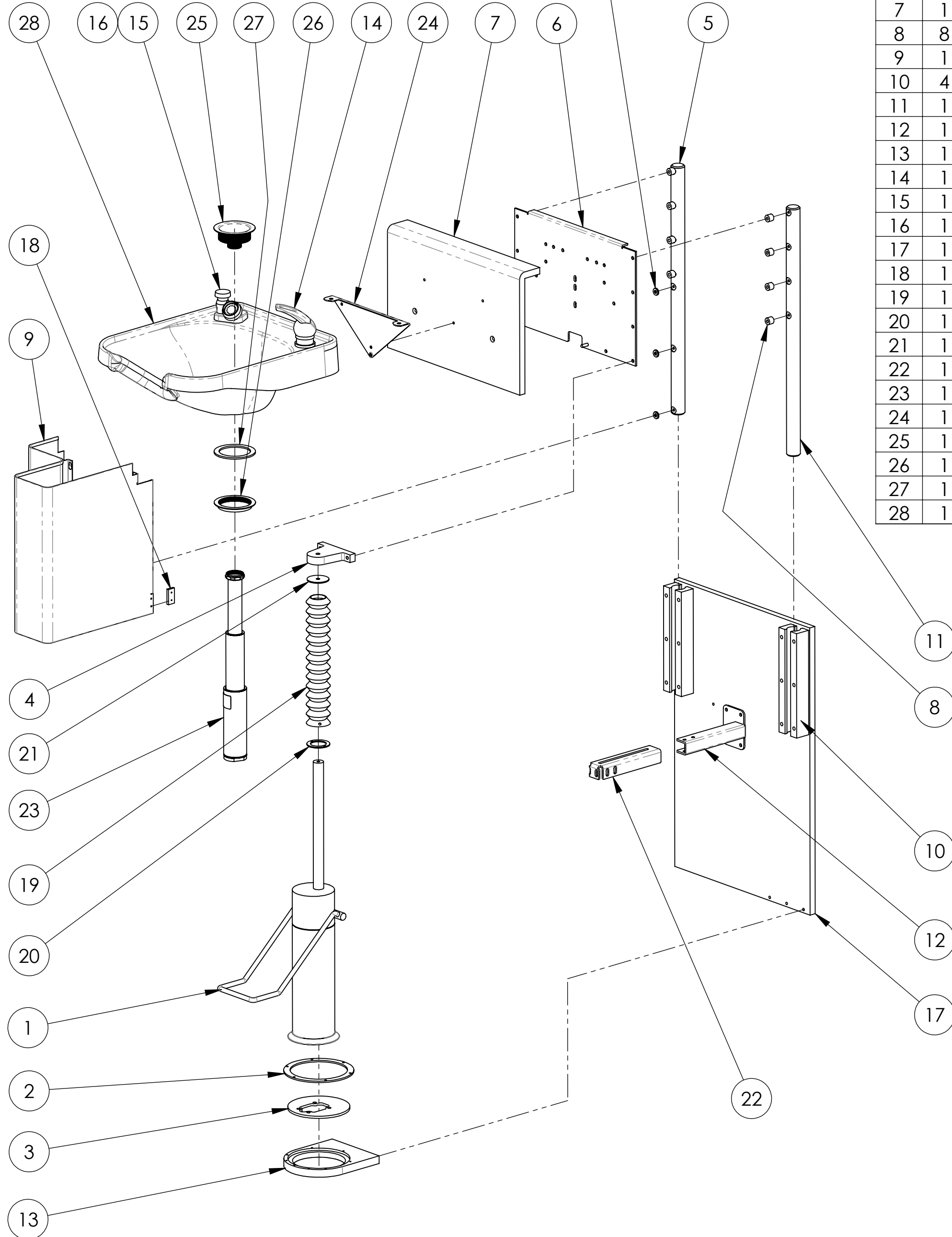
3

2

1

ITEM	QTY	FILE NUMBER	VENDOR	VENDOR P/N	TITLE
1	1	-34			LIFT PUMP
2	1	K100-37			RETAINER
3	1	K100-38			BASE PLATE
4	1	K100-60			LIFT BRACKET
5	1	K100-61			LIFT SHAFT - LEFT
6	1	K100-63			LIFT PANEL
7	1	K100-64			LIFT BACKSPLASH
8	8	K100-65			PANEL STANDOFF
9	1	k100-68			SHROUD
10	4	K100-70			LIFT GUIDE
11	1	K100-71			LIFT SHAFT - RIGHT
12	1	K100-72			DRAIN SUPPORT PIPE
13	1	K100-74			FLOOR PLATE
14	1	K100-83-1			FAUCET
15	1	K100-83-2			VACUUM BREAKER
16	1	K100-83-5			SPRAY HOSE
17	1	K100-85			MOUNTING PANEL
18	1	K100-89			SHROUD GUIDE
19	1	K100-90			BELLOWS (MOD)
20	1	K100-91			LOWER BELLOWS CLAMP RING
21	1	K100-92			UPPER BELLOWS CLAMP RING
22	1	K100-95			DRAIN PIPE CLAMP
23	1	T1512			TELESCOPING DRAIN - MODEL T1512
24	1	40540			SINK BRACKET
25	1	20260			SINK BASKET STRAINER
26	1	BASKET STRAINER NUT			BASKET STRAINER NUT (REF)
27	1	BASKET STRAINER GASKET			BASKET STRAINER GASKET (REF)
28	1	MODEL 3050			SHAMPOO SINK - MODEL 3050

5/16 FLAT WASHERS
STACKED AS NEEDED
FOR SPACING
(3 PLACES)



NEXT ASSY TOLERANCES EXCEPT AS NOTED MM: .0 ± .1, .00 ± .01, .000 ± .005 INCHES: .0 ± .1, .00 ± .01, .000 ± .005 ANGLES: ± 0.5° MATERIAL: FINISH:	DRAFTER C.SCHEFF	DATE 10/15/07	ACCESSIBLE SYSTEMS, INC. 9917 13TH AVENUE NORTH - MPLS, MN 55441 PHONE: 612.238.4600 TITLE MULTI-STAGE SYSTEM
	DESIGNER	DATE	
CHECKER	DATE	CUSTOMER APPROVAL	SIZE C
THIRD ANGLE PROJECTION 	DO NOT SCALE DRAWING	WWW.ADJUSTASINK.COM	DRAWING NO. K100 1 OF 3

4

3

2

1

D

C

B

A

DRAWING NO. K100

4

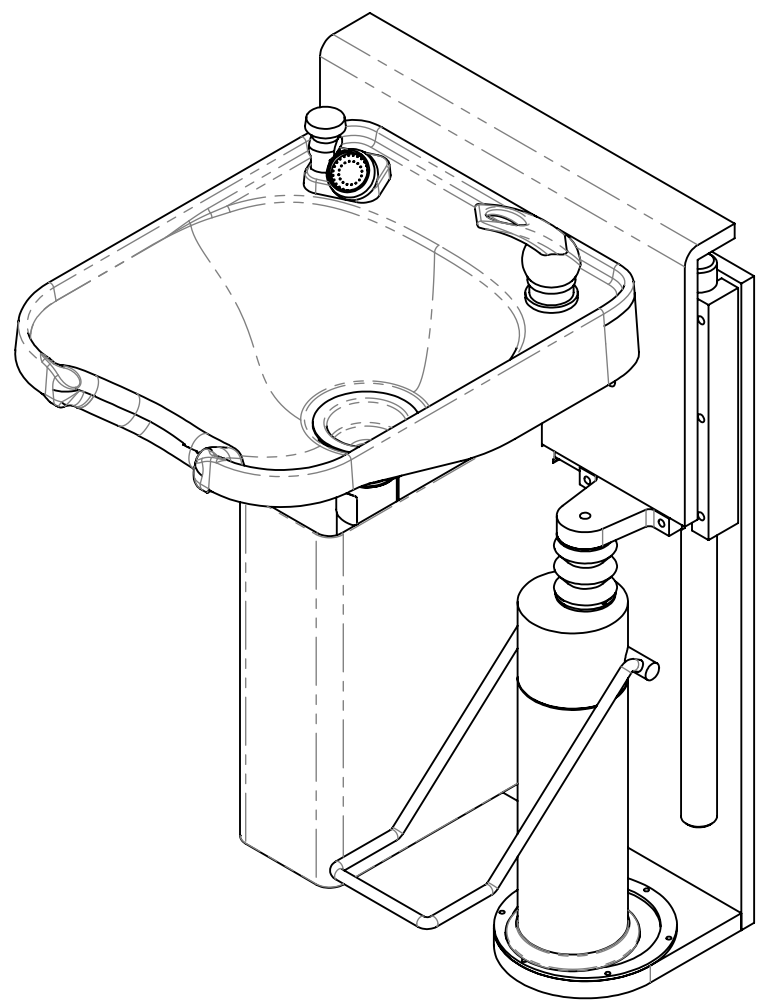
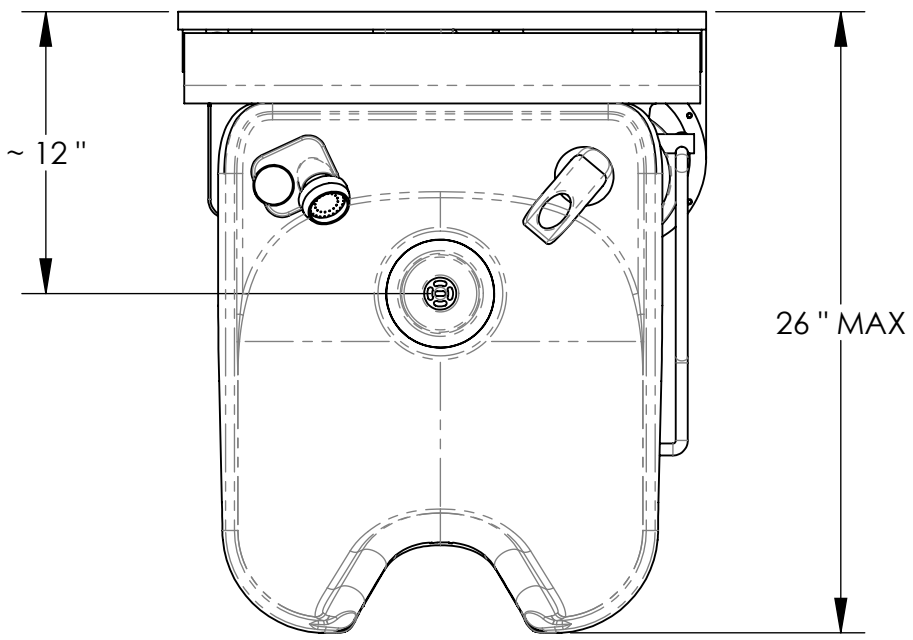
3

2

1

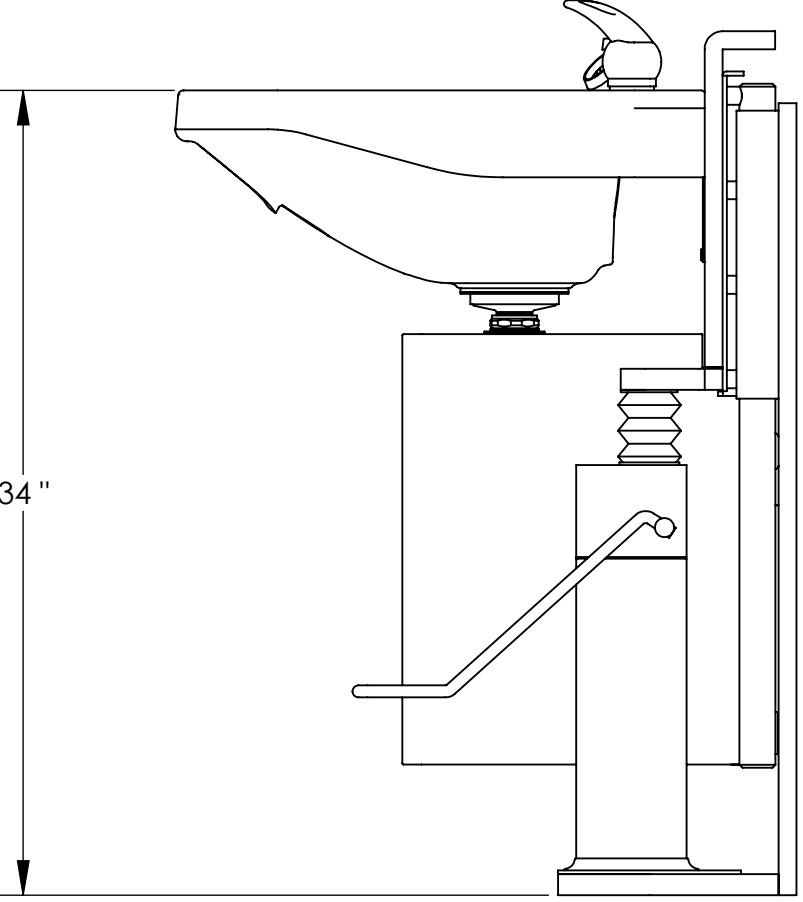
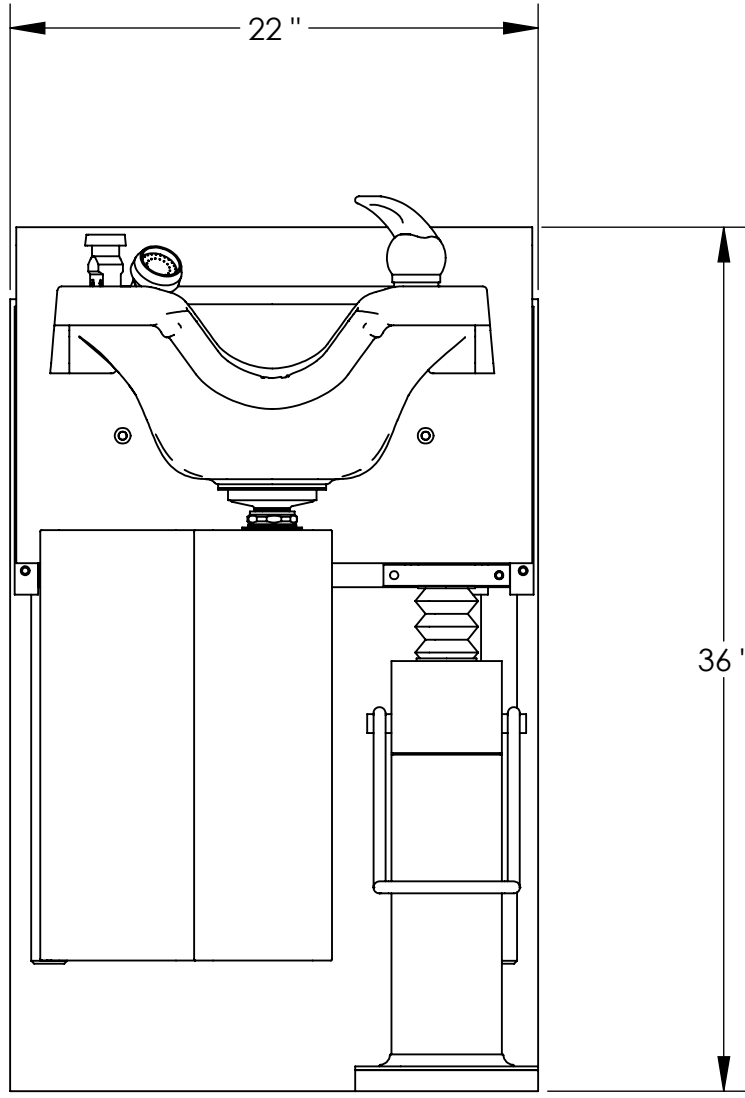
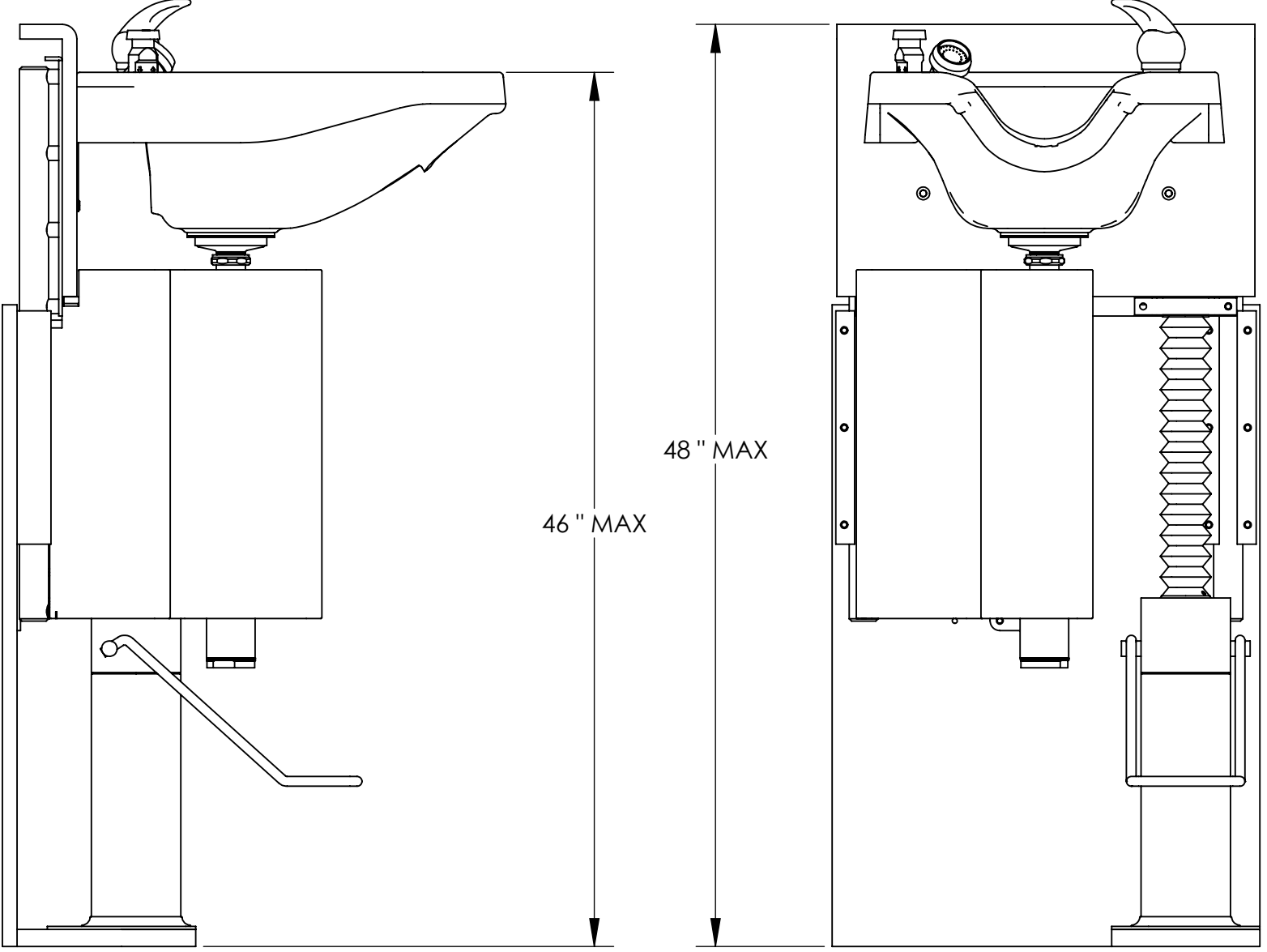
D

D



C

C



B

B

DRAWING NO. K100

A

A

NEXT ASSY

<p>MM(INCH) 25.4MM=1 INCH</p>	
<p>TOLERANCES EXCEPT AS NOTED</p>	
MM	INCHES
	.0 ± .1
	.00 ± .01
	.000 ± .005
<p>ANGLES ± 0.5°</p>	
<p>MATERIAL</p>	
<p>FINISH</p>	

DRAFTER C.SCHEFF	DATE 10/15/07
DESIGNER	DATE
CHECKER	DATE
CUSTOMER APPROVAL	DATE



<p>ACCESSIBLE SYSTEMS, INC.</p> <p>9917 13TH AVENUE NORTH - MPLS, MN 55441 PHONE: 612 . 238 . 4600</p>		
<p>TITLE MULTI-STAGE SYSTEM</p>		
<p>PROPRIETARY AND CONFIDENTIAL The information contained in this drawing is sole propriety of Accessible Systems, Inc. Any reproduction in whole or in part without written permission is strictly prohibited.</p>		
SIZE B	DRAWING NO. K100	
DO NOT SCALE DRAWING	WWW.ADJUSTASINK.COM	2 OF 3

4

3

2

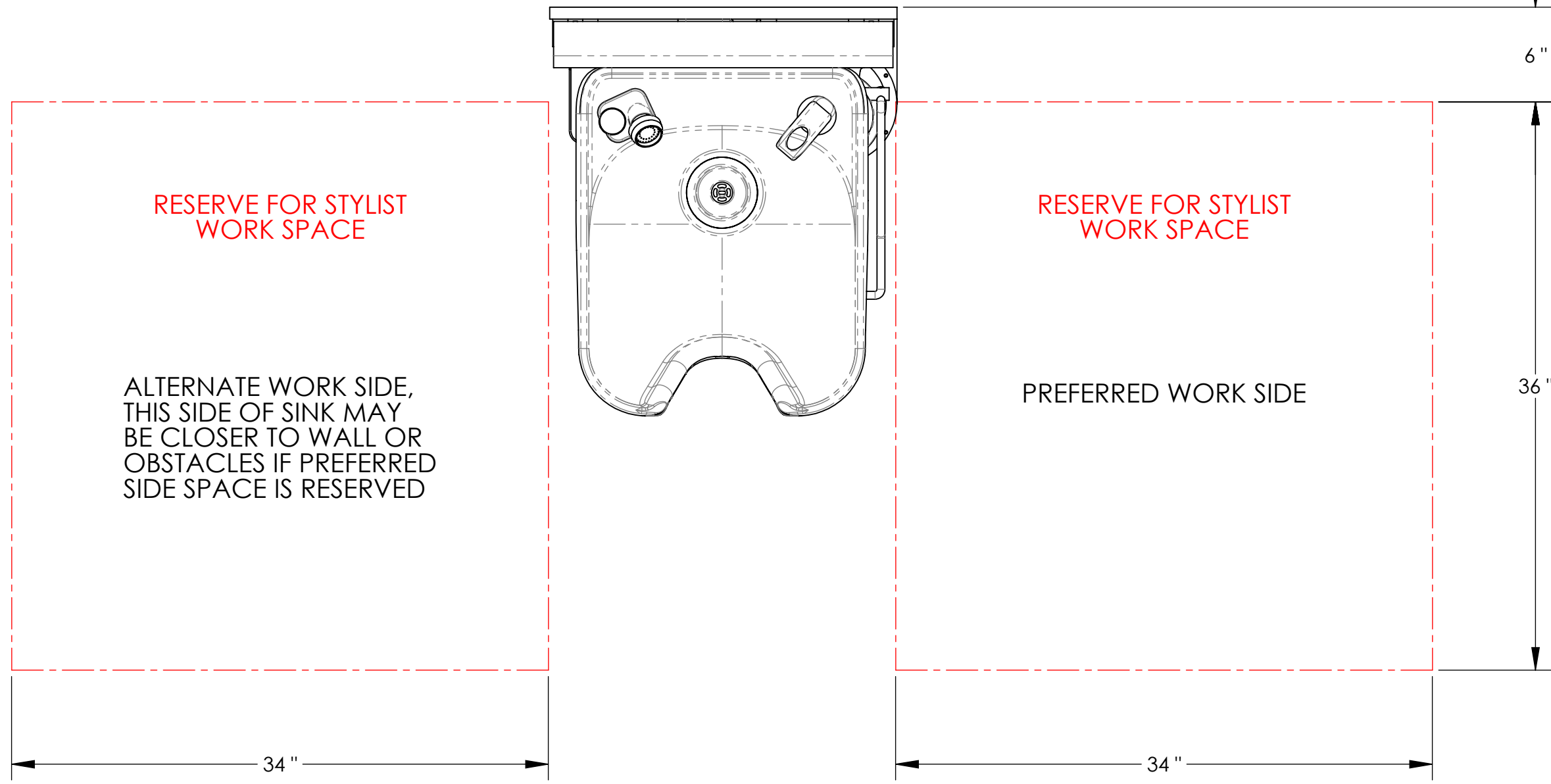
1

4

3

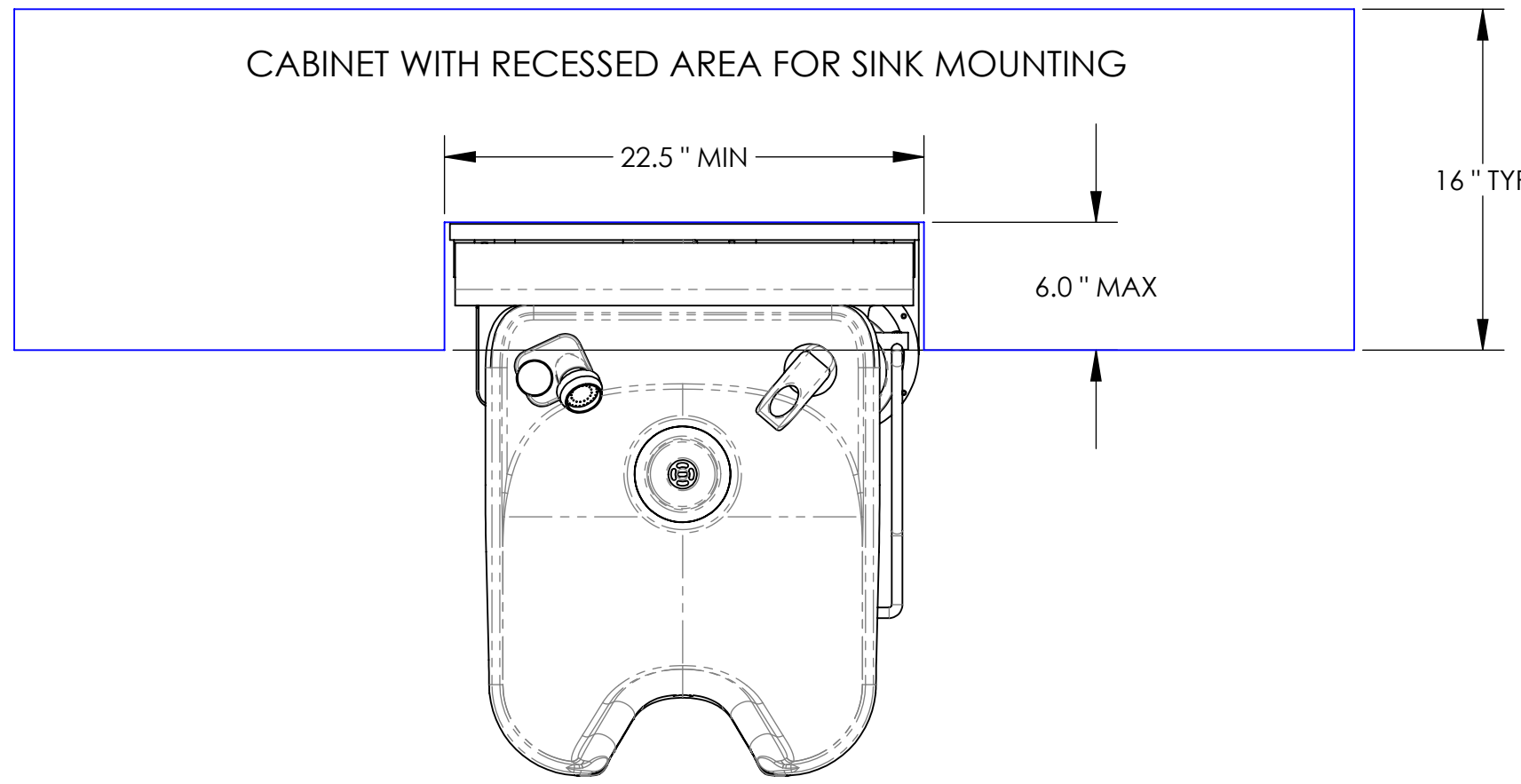
2

1

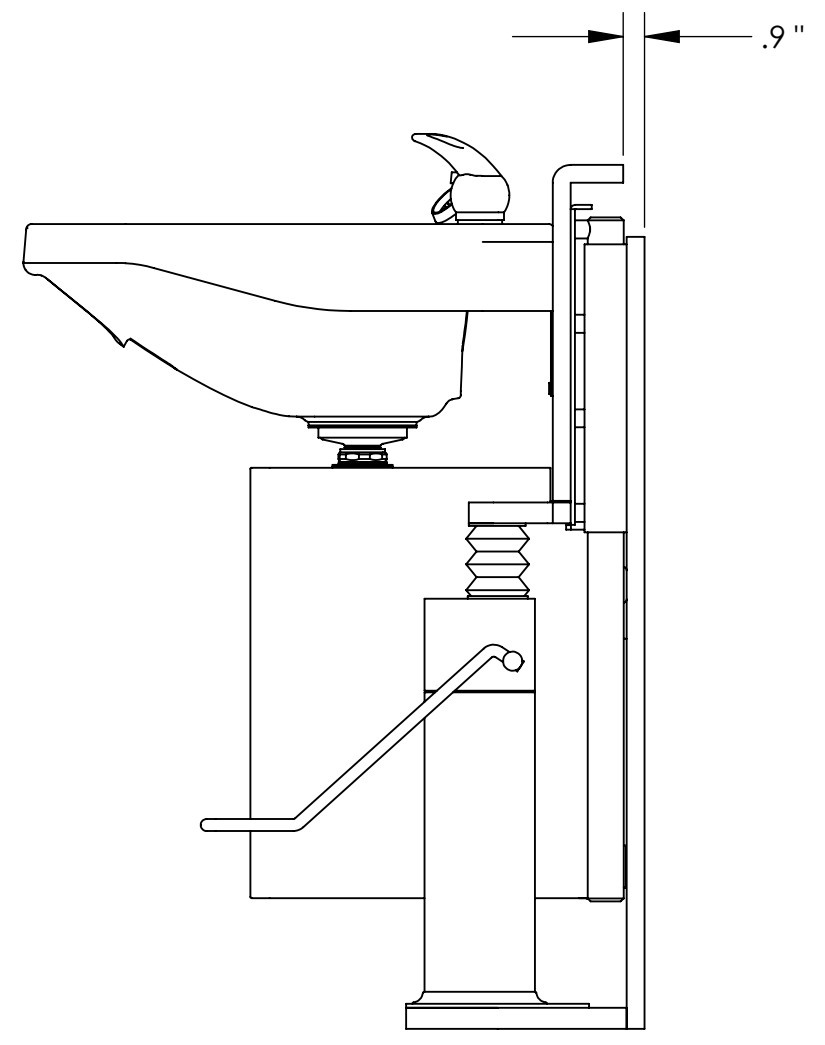


RESERVE WORK SPACE FOR SYLIST IN SALON PLAN. IF MULTIPLE SINKS ARE INSTALLED ALONG THE SAME WALL, SPACE AT 54" OR GREATER ON CENTER

THE ADJUSTABLE BACKSPLASH REQUIRES ADEQUATE CLEARANCE TO LIFT. ADD SPACER BLOCKS OR PANELS BEHIND WALL MOUNT PANEL IF TRIMWORK OR OTHER ELEMENT WILL INTERFERE



THE ADJUST-A-SINK MAY BE MOUNTED FLUSH TO A WALL OR FRONT FACE OF CABINETS. THE UNIT MAY ALSO BE RECESSED FROM CABINET FACE BY A MAXIMUM OF 6" TO ALLOW FOR WORK ACCESS



NEXT ASSY

MM(INCH) 25.4MM=1 INCH		DRAFTER C.SCHEFF	DATE 10/15/07
TOLERANCES EXCEPT AS NOTED		DESIGNER	DATE
MM	INCHES	CHECKER	DATE
	.0 ± .1	CUSTOMER APPROVAL	DATE
	.00 ± .01		
	.000 ± .005		
ANGLES ± 0.5°			
MATERIAL		THIRD ANGLE PROJECTION	
FINISH			

ACCESSIBLE SYSTEMS, INC. 9917 13TH AVENUE NORTH - MPLS, MN 55441 PHONE: 612.238.4600		
TITLE MULTI-STAGE SYSTEM		
PROPRIETARY AND CONFIDENTIAL The information contained in this drawing is sole propriety of Accessible Systems, Inc. Any reproduction in whole or in part without written permission is strictly prohibited.		
SIZE B	DRAWING NO. K100	DO NOT SCALE DRAWING
WWW.ADJUSTASINK.COM		3 OF 3

4

3

2

1

D

D

C

C

B

B

A

A

DRAWING NO.
K100